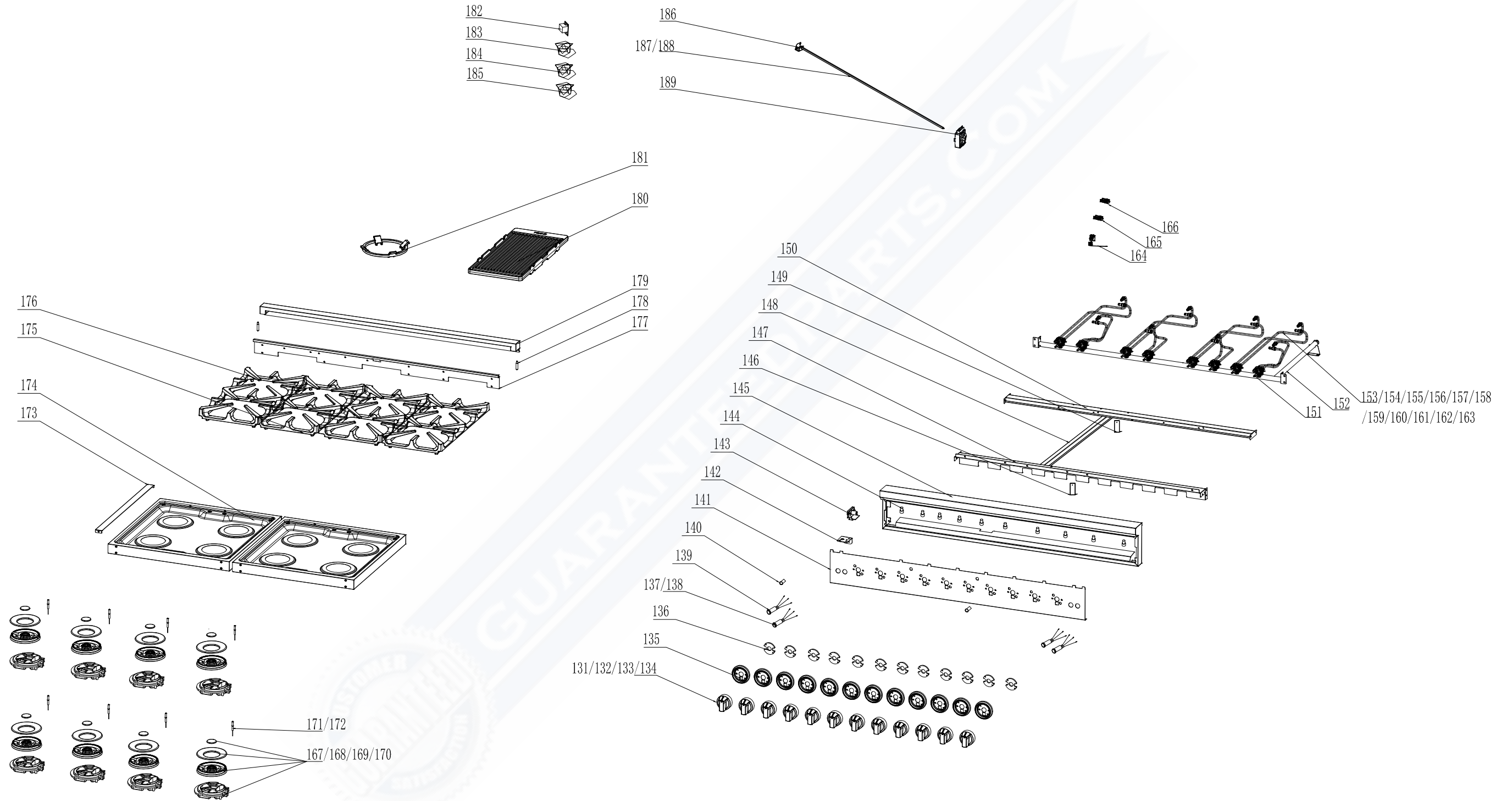
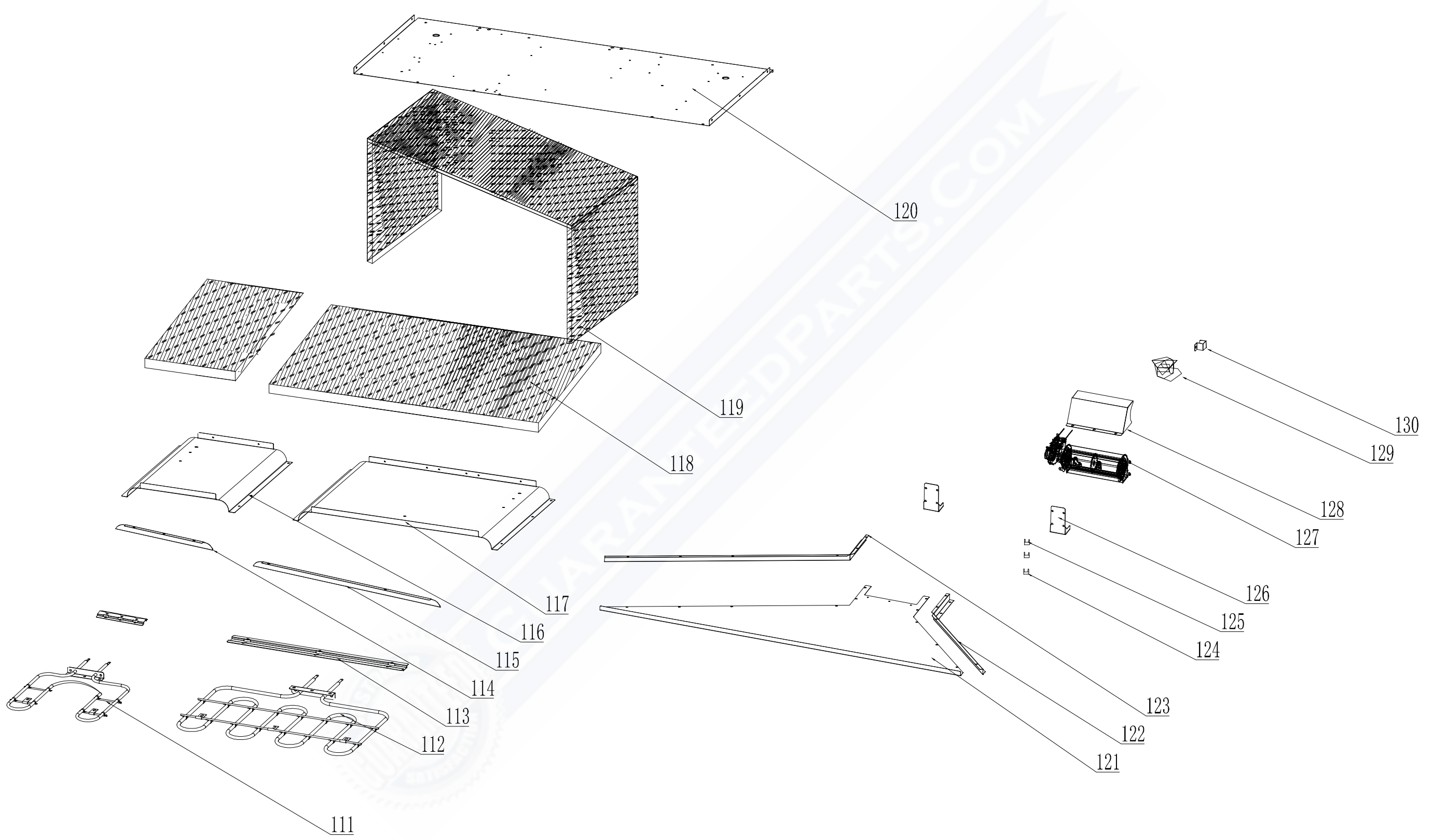


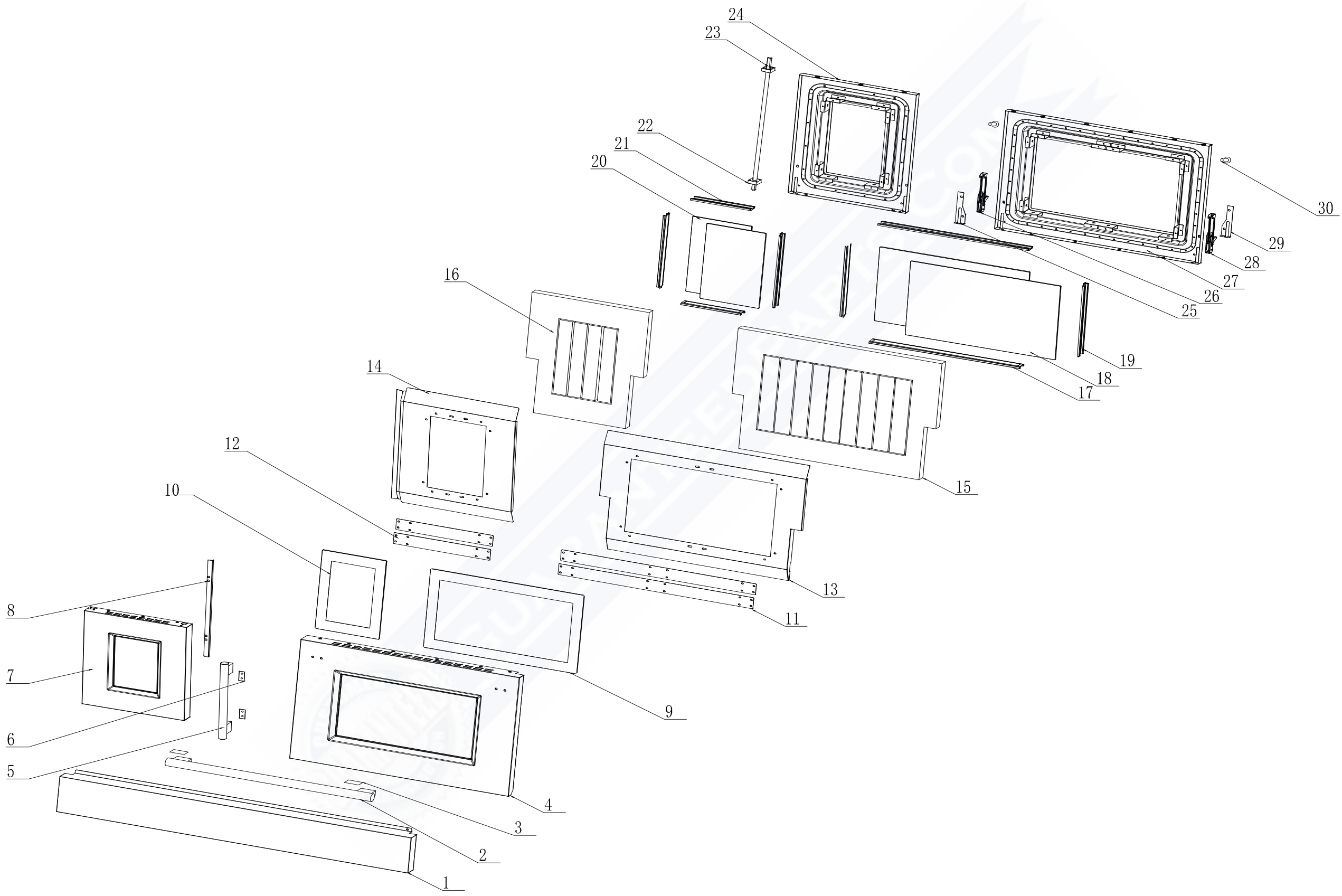
cook top



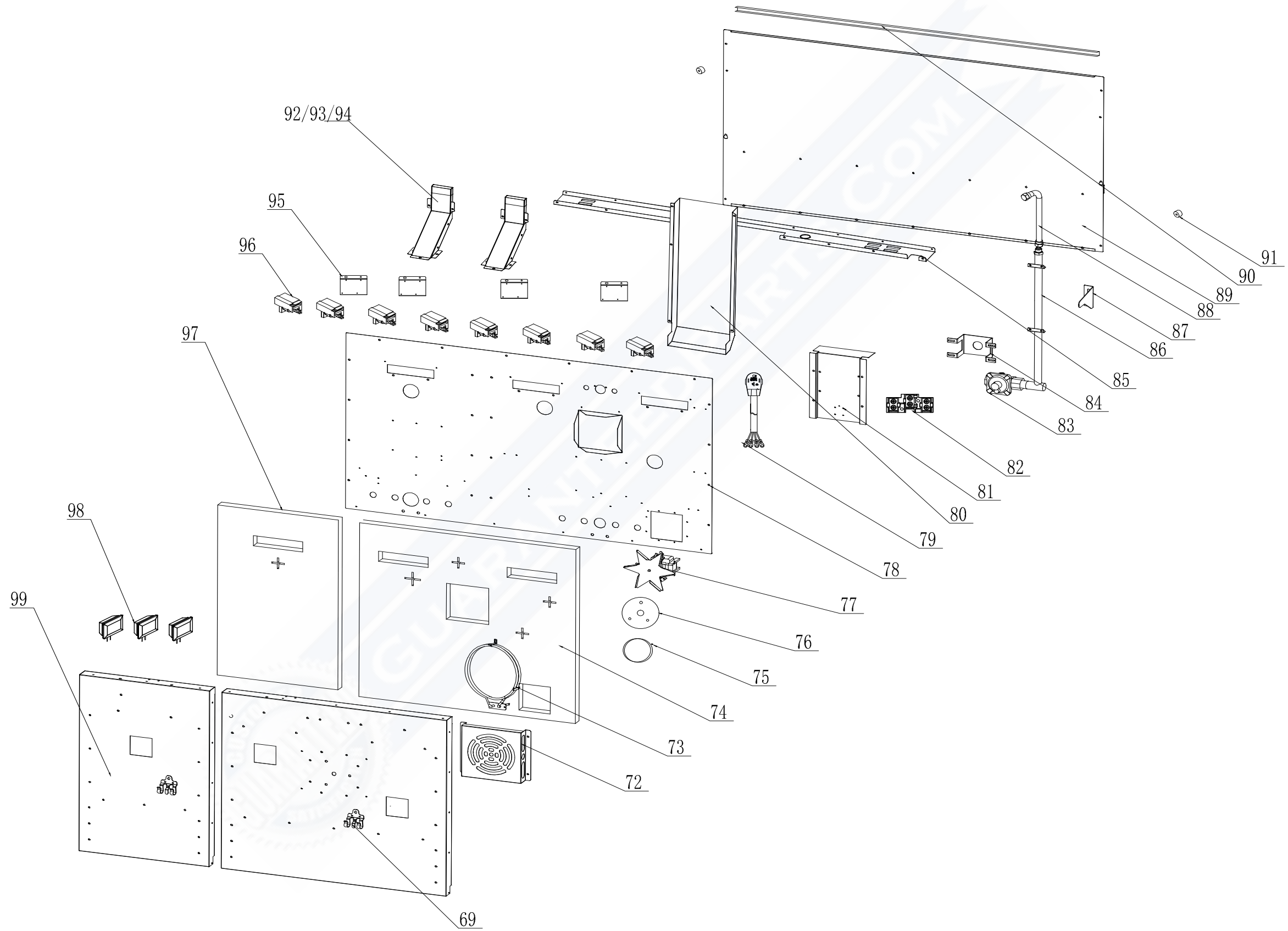
cavity top



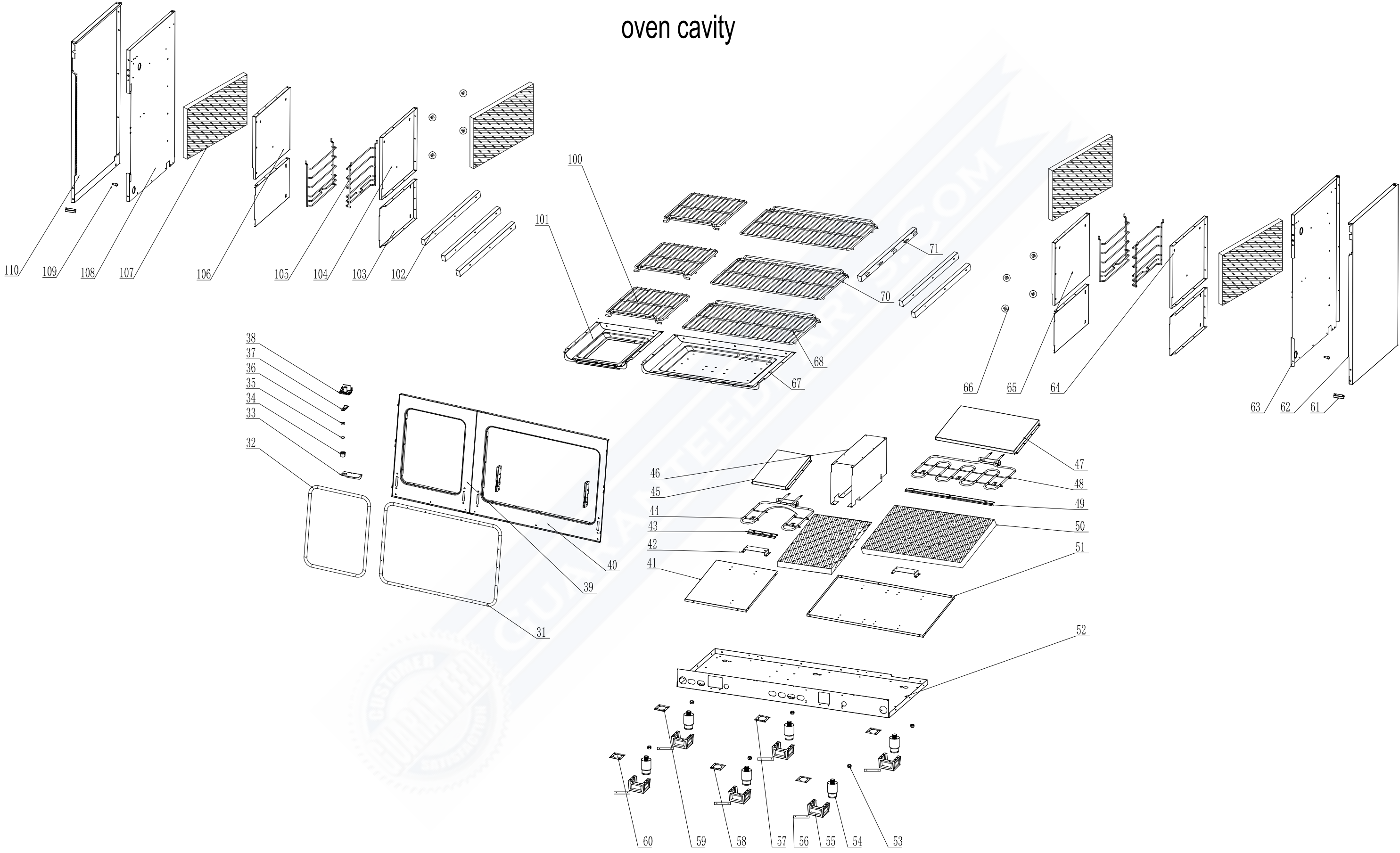
door



cavity back



oven cavity



FFSGS6387-48

No.	Material Name	Material Code	Qty.
1	Drawer panel G48R44	G48R44-120100-Z	1
2	Handle G30R04	G30R04-101900	1
3	handle rubber mat G36R03	G36R03-100700	2
4	door outside plate G48R03	G48R03-100401	1
5	Handle left G18R43	G18R43-101900	1
6	handle rubber mat G18R43	G18R43-100700	2
7	door outside plate G18R43	G18R43-100401	1
8	Handle strengthen bar G36R43	G36R43-100700	1
9	door outer glass G30R03	G30R03-101100	1
10	door outer glass G18R03	G18R03-101100	1
11	door outer glass black pressing plate G30R03	G30R03-101400-02	2
12	door outer glass black pressing plate G18R03	G18R03-101400-02	2
13	door insulation plate G30X03	G30X03-101401	1
14	door insulation plate G18R43	G18R43-101400	1
15	glass wool for door G30X03	G30X03-103500	1
16	glass wool for door G18R43	G18R43-103500	1
17	30" up/down frame body for door inside glass	G30X03-101501	2
18	innder door glass G30R03	G30R03-100500	2
19	36" left/right frame body for door inside glass	G36X03-101601	4
20	innder door glass G18R03	G18R03-100500	2
21	18" up/down frame body for door inside glass	G18X03-101501	2
22	roast axis fixed mount G48R44	G48R44-002100	1
23	axis of rotation component	G18R43-110000-Z	1
24	Door frame G18R43	G18R43-100601-Z	1
25	door strengthen part L G36X03	G36X03-101003	1
26	door hinge L G30R03	G30R03-110000	1
27	Door frame G30R03	G30R03-100602-Z	1
28	door hinge R G30R03	G30R03-110010	1
29	door strengthen part R G36X03	G36X03-101002	1
30	Door rubber decoration cap	02.04.07.109000	2
31	door seal bar G48R03	G48R03-071200	1
32	door seal bar G18R03	G18R03-071200	1
33	rotate axis down support G48R43	G48R43-985600	1
34	adjustable base G36R44	G36R44-002100	1
35	cushion G36R43	G36R43-002300	1
36	rotate axis coat G48R43	G48R43-002200	1
37	door lock baffle plate component G48R43	G18R43-003400-Z	1
38	Door lock component G48R43	G48R43-111000	1
39	front panel G18R43	G18R43-070100-Z	1
40	front panel G48R03	G48R03-070100	1
41	drawer insulation plate C18X04	C18X04-072100	1
42	cavity bottom heat element ground support C36X04	C36X04-080700	2
43	18" heat element cushion plate	C18X04-080600	2
44	18" heat element (down) 1700W	C18R05-091000	1
45	18" oil baffle plate-X04-blue enameled	C18X04-215102	1
46	oven U type burner downside plate G48X03	G48X03-070400	1
47	oil baffle plate blue enameled C30X04	C30X04-215102	1
48	oven bottom heat element C30R05	C30R05-091200	1
49	heat element cushion plate C30X04	C30X04-080600	1
50	30" cavity bottom plate glass wool-X01	G30X01-036000	1
51	30" drawer insulation plate-X04-DF	C30X04-072100	1
52	bottom plate G48R43	G48R43-071800	1

53	leg round fixed screw	BZ-0000000912	6
54	oven leg G36X03	G36X03-071500	6
55	leg cover	G36X01-071600	6
56	leg cover fixed plate	G48R04-071816	6
57	back middle foot fixed part	G48R04-071812	1
58	front middle foot fixed part	G48R04-071814	1
59	back left/right foot fixed part	G48R04-071811	2
60	front left/right foot fixed part	G48R04-071813	2
61	drawer fixed plate G30R45	G30R45-120200	2
62	right outside plate	G36X01-071001	1
63	right outside plate inside component	G36X03-071104-Z	1
64	cavity top right side blue enameled plate G36R04	G36R04-070500-Z	1
65	cavity top left side blue enameled plate G36R04	G36R04-070501	1
66	side rack protect cover G36X03	G36X03-073900	16
67	cavity down blue enameled plate G30X03	C30X03-070704-Z	1
68	baking rack-stainless steel G30R05	G30R05-071901	3
69	thermo-sensor fixed board G20A01	G20A01-031100	2
70	cavity blue enameled back plate C48R04	C48R04-070300	1
71	slide rail R X01 series G36X01	G36X01-120701	6
72	convection fan cover G20H08	G20H08-091701	1
73	back heat element C20A01	C20A01-091602	1
74	cavity back plate glass wool G30X03	G30X03-072900	1
75	fan motor glass wool G36X03	G36X03-072800	1
76	fan motor baffle plate C36A01	C36A01-073100	1
77	Convection fan G20A01	G20A01-091501	1
78	cavity back insulation plate C48R05	C48R05-072200	1
79	power cord #14	G20A14-160100	1
80	back ventilation channel C30R04	C30R04-075600	1
81	ignition support G36X03	G36X03-212300	1
82	power cord terminal E20F01	E20F01-106400	1
83	regulator G36X03	G36X03-034000	1
84	pressure adjustable valve fixed support G36X03	G36X03-034500	1
85	bottom fixed plate for baffle plate-DF C48R05	C48R05-072400	1
86	cavity back gas manifold G36X03	G36X03-030801	1
87	anti-tip support X01 series G36X01	G36X01-212501	1
88	3/4" corrugated pipe 170mm G36X03	G36X03-215300	1
89	baffle plate C48R05	C48R05-072001	1
90	baffle plate strengthen part G48X03	G48X03-072300	1
91	anti-wall rubber mat G36X03	G36X03-212600	2
92	chimney outer plate C36R03	C36R03-074200	2
93	chimney component C36R03	C36R03-074100	2
94	chimney fixed support C36R03	C36R03-074300	6
95	ignition support (2) G48R03	G48R03-212300	4
96	Ignition G36R03	G36R03-170101	8
97	cavity back plate glass wool G18X03	G18X03-072900	1
98	square lamp G36X04	G36X04-180100	3
99	cavity blue enameled back plate C18R04	C18R04-070300	1
100	18" baking rack	G18R05-071901	3
101	cavity down plate C18X03	C18X03-070704-Z	1
102	slide rail L X01 series G36X01	G36X01-120700	6
103	cavity down side plate G36X03	G36X03-070400	2
104	cavity top right side blue enameled plate G36X04	G36X04-070508	1
105	side rack G36X01	G36X01-073801	4
106	cavity top left side blue enameled plate G36X04	G36X04-070509	1
107	cavity top left glass wool G36X03	G36X03-073300	6
108	left outside plate inside component G18R43	G18R43-071100-Z	1

109	screw for anti-tip step G36X03	G36X03-111000	1
110	left outside plate G48R44	G48R44-071000	1
111	broil heat element C18R05	C18R05-091002	1
112	broil heat element (inside+outside) C36R05	C36R05-091000	1
113	heat element cushion plate-1 C36X04	C36X04-080600	1
114	front panel strip G18X03	G18X03-214500	1
115	front panel strip G30X03	G30X03-214500	1
116	18" cavity top plate component-R03	C18R03-070600-Z	1
117	30" cavity top plate component-R05	C30R05-070600-Z	1
118	48" cavity top glass wool-X03	G48X03-036000	1
119	cavity structure frame glass wool G48X03	G48X03-070800	1
120	48" cavity insulation plate-R05-DF	C48R05-074500-Z	1
121	Wind board C48R05	C48R05-075000	1
122	Right side plate for wind board C48R05	C48R05-075100	1
123	Left side plate for wind board C48R05	C48R05-075200	1
124	Thermo-controller 140°C E24F01	E24F01-076200	2
125	Thermo-controller 50°C C36R05	C36R05-076200	1
126	cooling fan fixed support C36X04	C36X04-075400	2
127	cooling fan C36R05	C36R05-200900	1
128	fan heat insulation cover C36X04	C36X04-075300	1
129	harness C48R44	C48R44-180300	1
130	plastic wire hook	G36R03-160200	5
131	knob for oven temperature setting C36R05	C36R05-030101	2
132	18" knob for oven function-R05	C36R05-030104	1
133	36" knob for oven function-R05	C36R05-030105	1
134	knob for double gas outlet G36R04	G36R04-030101	8
135	knob ring G36R04	G36R04-030200	12
136	knob shining PCB G36R04	G36R04-031000	12
137	Round press button G36R45	G36R45-170200	1
138	LED light switch plug G36X04	G36X04-171000	1
139	Round press button G36R43	G36R43-170200	3
140	red indicator G36X03	G36X03-031000-7	2
141	control panel C48R44	C48R44-030300	1
142	rotate axis top support G48R43	G18R43-985600	1
143	Door lock component 1.8	G48R43-111001	1
144	red LED light G36X04	G36X04-031000-7	12
145	control panel body component C48R44	C48R44-032300-Z	1
146	cooktop front support plate G36X03	G36X03-022200	1
147	48" cooktop front support-R05-DF	C48R05-022100	1
148	cooktop lengthways support part	G48X04-803000	1
149	cooktop back support G48R04	G48R04-022000	1
150	cooktop back support part G48X03	G48X03-022200	1
151	Cooktop valve 0.68+0.27 C36R04	C36R04-030400	8
152	control panel main gas pipe C48R05	C48R05-030700	1
153	R/F support Al.pipe G36R03	G36R03-020600	2
154	R/F main Al.pipe G36R03	G36R03-020500	2
155	R/R Al.pipe G36R03	G36R03-020400	2
156	R/R main Al.pipe G48R04	G48R04-020600	2
157	M/F Al.pipe C36R03	C36R03-020300	1
158	Front Al.pipe C48R04	C48R04-020500	1
159	M/R Al.pipe C36R03	C36R03-020200	1
160	20,000btu burner back Al. pipe C48R04	C48R04-020400	2
161	M/L/F Al.pipe C48R03	C48R03-020300	1
162	M/F main Al.pipe G36R04	G36R04-020400	1
163	M/L/R Al.pipe C48R03	C48R03-020200	1
164	thermo-control component switch C36R05	C36R05-030900	2

165	switch 3+0 C18R05	C18R05-170800	1
166	switch 5+0 C36R05	C36R05-170800	1
167	20,000btu burner component-brass	G36R03-040301	8
168		G36R03-040302	8
169		G36R03-040203	8
170		G36R03-040204	8
171	top burner spark plug 400 G36R04	G36R04-170505	2
172	top burner spark plug 700 G36R04	G36R04-170501	6
173	cooktop plate decoration strip G48R04	G48R04-025000	1
174	Cooktop plate G24R04	G24R04-020100	2
175	36" cast iron grates-R04	G36R04-021400	3
176	48" cast iron grates-R04	G48R04-021400	1
177	cooktop back connection plate G48R04	G48R04-073600	1
178	backsplash bolt G36X03	G36X03-110800	2
179	backsplash board G48R04	G48R04-011500-Z	1
180	griddle G36R03	G36R03-021400	1
181	pan support G48R03	G48R03-021400	1
182	LED light transformer G36R04	G36R04-180305	1
183	wires for LED light transformer G36R45	G36R45-180301	1
184	48" wires for LED light-R05	C48R05-180302	1
185	wires for knob LED light	C48R45-180303	1
186	roasted axis support	G20A01-200700	1
187	rotisserie rod 618mm	G36R03-200501	1
188	rotisserie fork	G20A01-200601	2
189	Rotisserie motor G20A01	G20A01-200101	1
	door outside glass straight fixed part	G36R03-101300	4
	door outside glass L shape fixed part	G36R03-101200	8
	flat gasket	BZ-0000001606	16
	plastic rivets	G36R03-232902	24
	hinge protect part	G48X03-803500	2
	Handle strengthen bar component G36R43	G36R03-100800-Z	2



GUARANTEE

US.COM